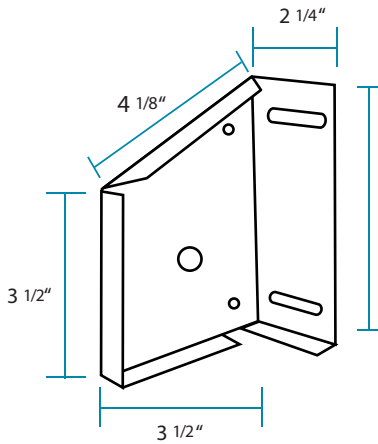
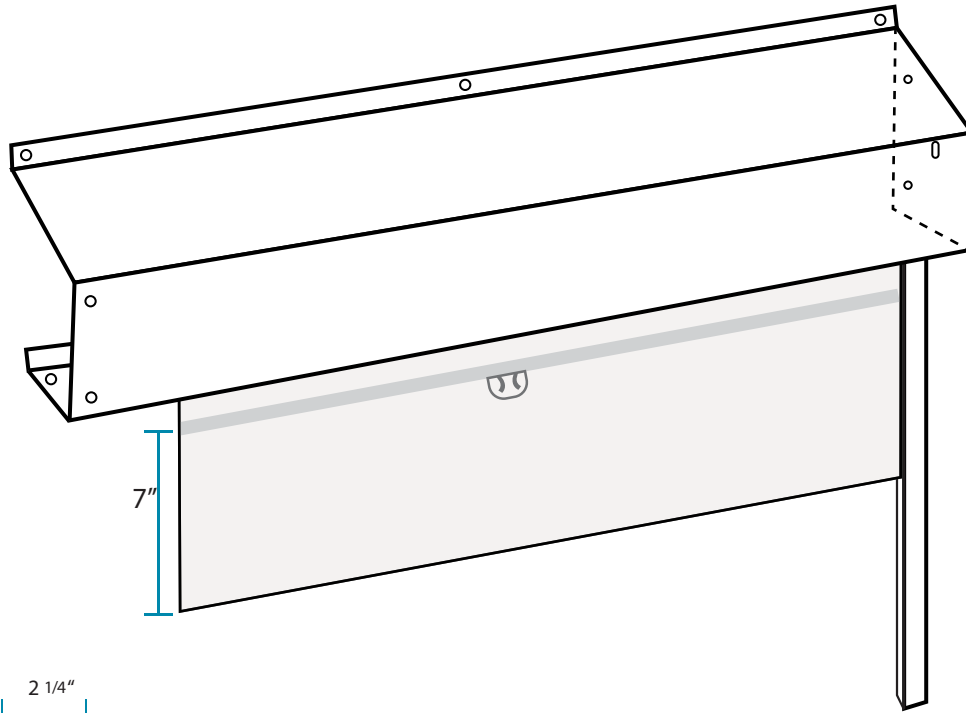
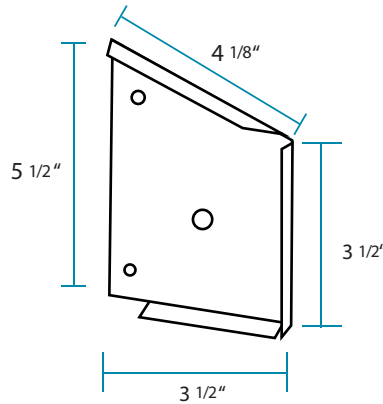


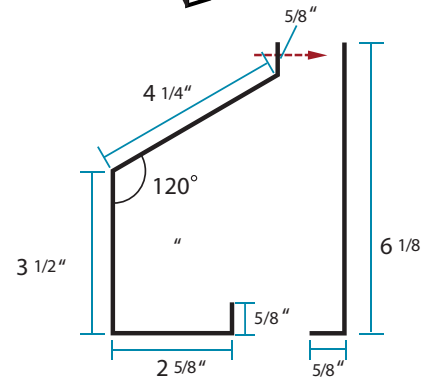
# Angled Security Box - SB5A



**Slider Bracket Plate**



**Bracket Plate**



**Security Box**

**Back Plate**

Security Box to be 24 gauge galvanized steel unless specified.  
Up to 60" – 24 gauge

Standard powder-coat of security box and back plate  
available in white, off-white, beige or bronze. Additional  
powder-coat colors available, charges may apply.

Industry standard 1/4" space between fabric and track required for proper operation. Privacy mullion provided upon request.



For installation information  
[www.youtube.com/webbshade](http://www.youtube.com/webbshade)